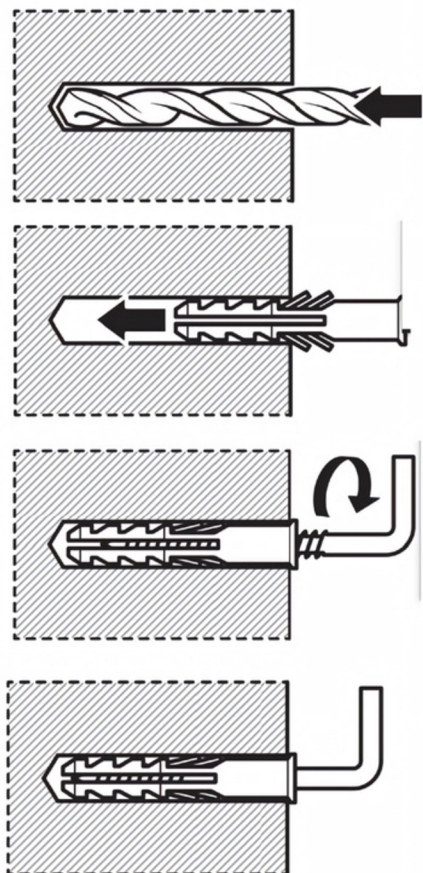


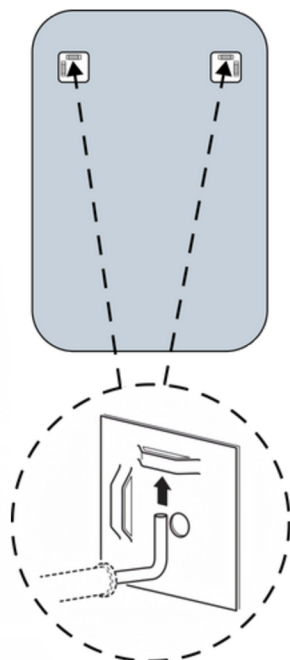


# 3

Attach the mounting pins to the previously marked location. Please note that the depth to which the plugs should be screwed in will vary depending on the model selected.

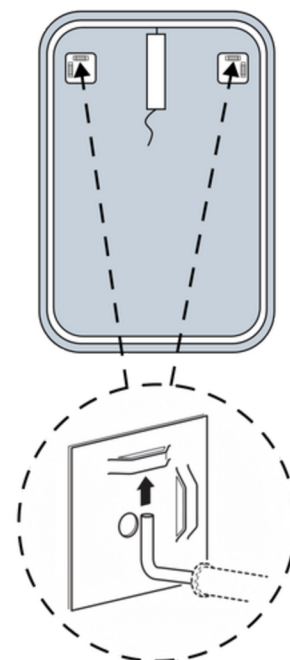


## 3a



SIMPLE

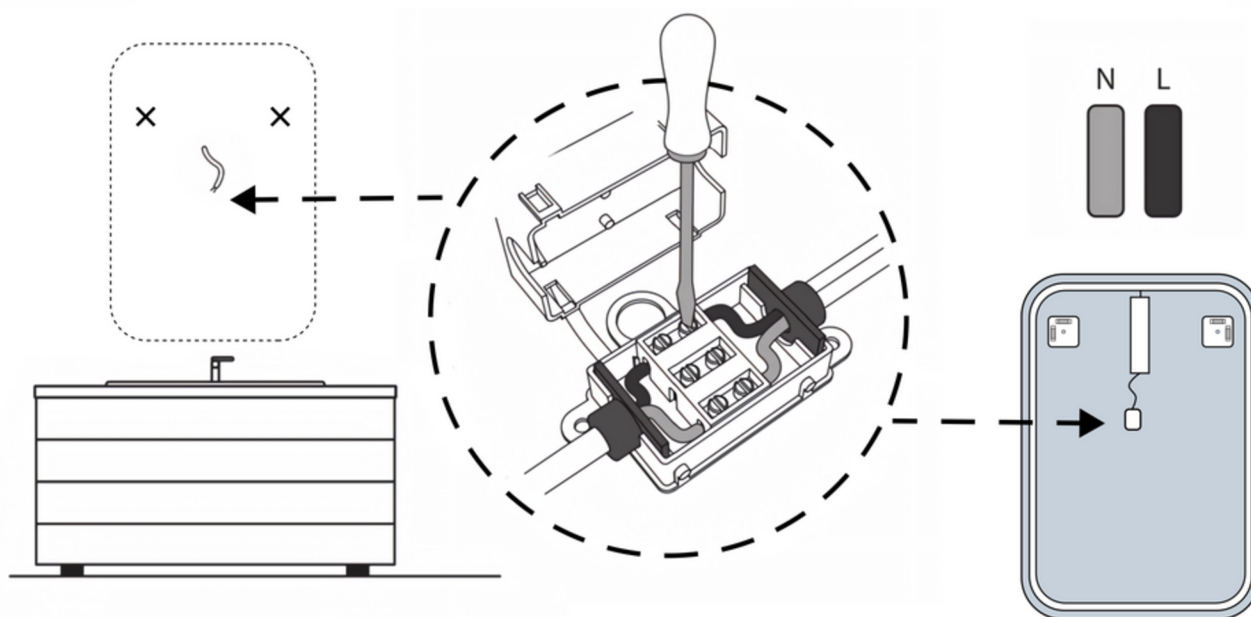
## 3b



LED

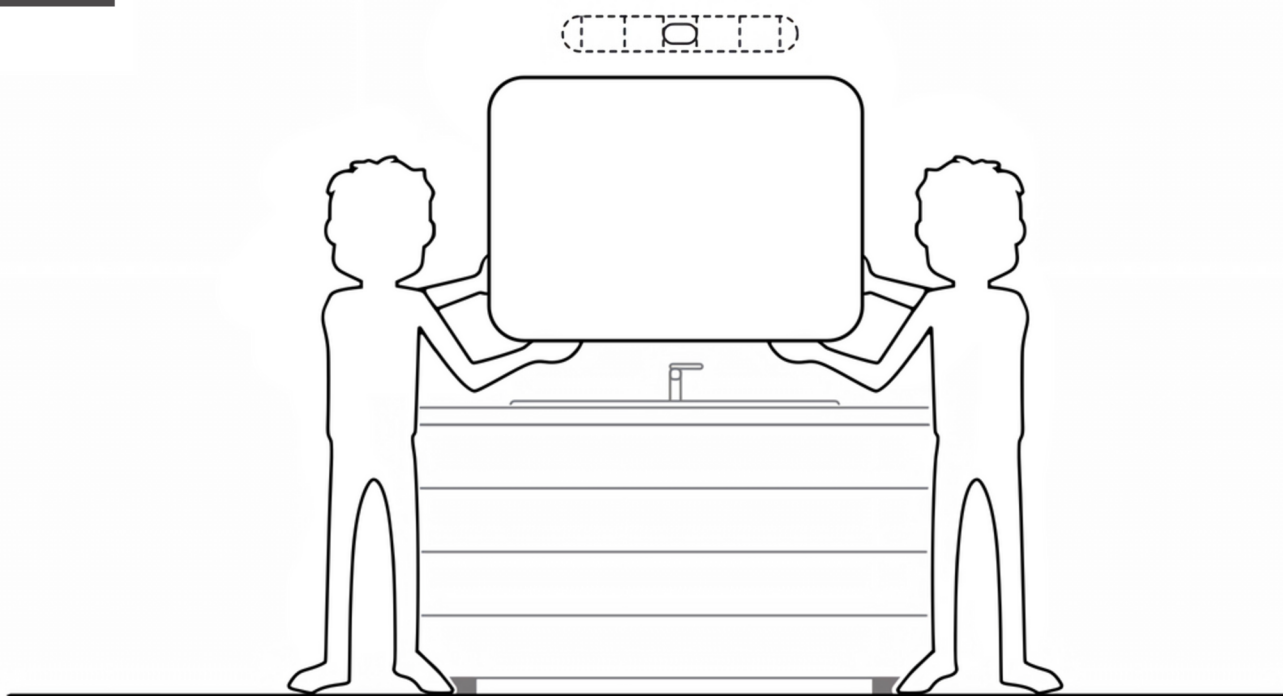
# 4

Connect the wires using an electrical connector. Before connecting the wires to the terminal block, strip about 5 mm of insulation from around the wires. The terminal block has 2 or 3 holes for the wires. There will definitely be room for: live wire = L (brown, red, or black), neutral wire = N (blue). Sometimes there's also a hole for the protective earth wire = PE (green/yellow). After inserting the wires into the terminal block, tighten the screws with a screwdriver.



5

Hang the mirror on the previously prepared mounts.  
Please note that depending on the model you choose, you may need the help of an additional person to hang the mirror.



6

Once the mirror is securely mounted, activate it using your chosen solution and enjoy using our product.

